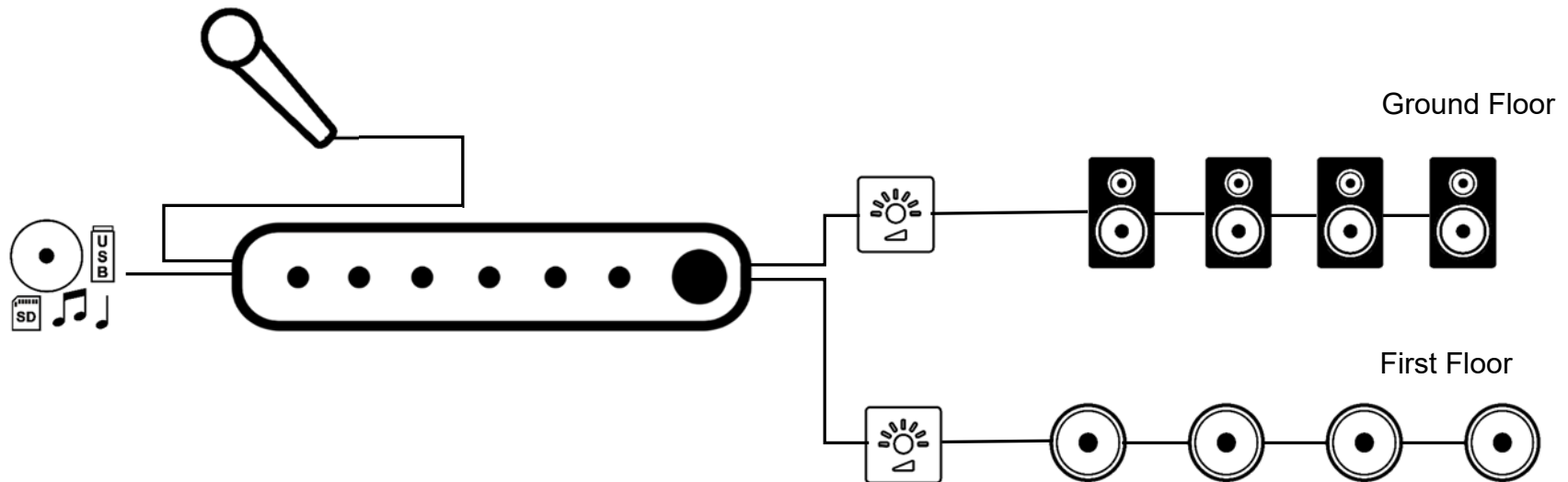


Restaurant

In this example, we have a restaurant over 2 floors.

AN MP3 player provides background music and a microphone can be used for special announcements.

A volume control on each floor enables to volume to be set according to noise levels. Compact wall mounted cabinet speakers are fitted on the ground floor with discreet ceiling speakers upstairs.



Pub Restaurant with Four Zones

In this scenario we have a pub restaurant with a beer garden. This system is running on 70 / 100 volt line. By using a 4 zone mixer amp, each main area of the pub can be controlled separately in order to set an appropriate volume level. Cabinet speakers are used in the main pub / restaurant area with weather resistant cabinets being used in the beer garden. Ceiling speakers are located in the toilets. A simple paging microphone can be used to make customer announcements. A media player enables long playlists to be played back via SD / USB or connect to a Bluetooth enabled device.

